

Shielded Ignition Coil

P/N 95.09.054

Dimensions

- Length 178.5 mm (7.03")
- Diameter of coil body 62 mm (2.44")
- Distance of mounting screws 65 mm to 78 mm (2.56" to 3.07")

Connections

- Primary side MIL., 3 pole, pin, 5/8-24 UNEF
- Secondary side 3/4-20 UNEF
- Torque primary side 3 Nm \pm 10 % (2.2 lb-ft \pm 10 %)
- Torque secondary side 5 Nm \pm 10 % (3.7 lb-ft \pm 10 %)

Mechanical Data

- Weight Approx. 1.2 kg (2.6 lb)
- Permissible vibrations 5 g at 20 Hz to 2000 Hz
- Torque for mounting screws on MOTORTECH wiring rail 16 Nm \pm 10 % (11.8 lb-ft \pm 10 %)

Climatic Environmental Conditions

- Permissible temperature range during operation -20 °C to +100 °C (-4 °F to +212 °F)
- Permissible temperature range for storage -40 °C to +120 °C (-40 °F to 248 °F)
- Maximum relative humidity 95 %

Electrical Data

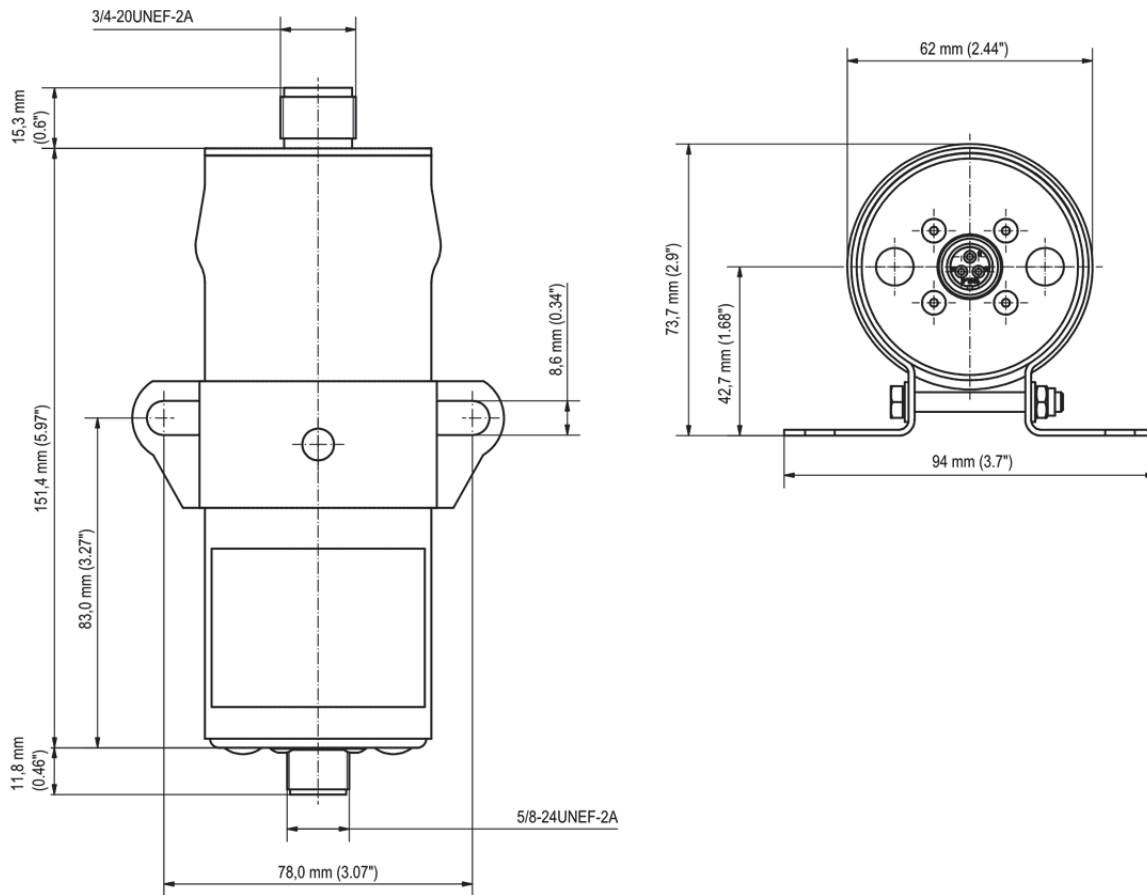
- Maximum secondary voltage 40 kV \pm 2.5 kV
- Resistance primary side 0.35 Ω \pm 0.1 Ω
- Resistance secondary side 8 k Ω +0.5/-1 k Ω
- Polarity Negative ground

Compatibility

- Equivalent to following ignition coils 591010-S
- Compatible ignition controllers MIC500, ALT I, ALT III, ALT V, CD200, CD200D, DISN, CPU90



Overview Drawings



Coil Circuit Diagram

