

Ignition Coil

P/N 06.50.113

Dimensions

• Length	161.6 mm (6.36")
• Width	101.2 mm (3.98")
• Height	72 mm (2.83")
• Distance between fastening screws	73 mm (2.87")

Connections

• Primary side	N10-32UNF
• Secondary side	Female
• Torque primary side	3 Nm (2.2 lb-ft) ± 10 %

Mechanical Data

• Weight	Approx. 1 kg (2.2 lbs)
• Permissible vibrations	5 g at 20 Hz to 2,000 Hz
• Torque of fastening screws on the ignition rail	16 Nm (11.8 lb-ft) ± 10 %

Climatic Environmental Conditions

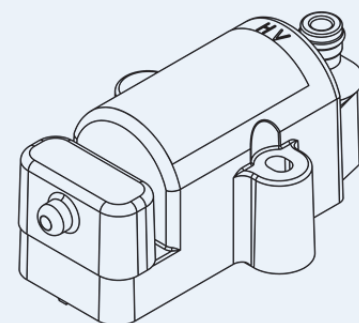
• Permissible temperature range	-20 °C to +95 °C (-4 °F to +203 °F)
• Maximum relative humidity	95 %

Electrical Data

• Maximum secondary voltage	45 kV
• Resistance primary side	0.5 Ω ± 0.1 Ω
• Resistance secondary side	8 kΩ ± 1 kΩ
• Polarity	Negative ground

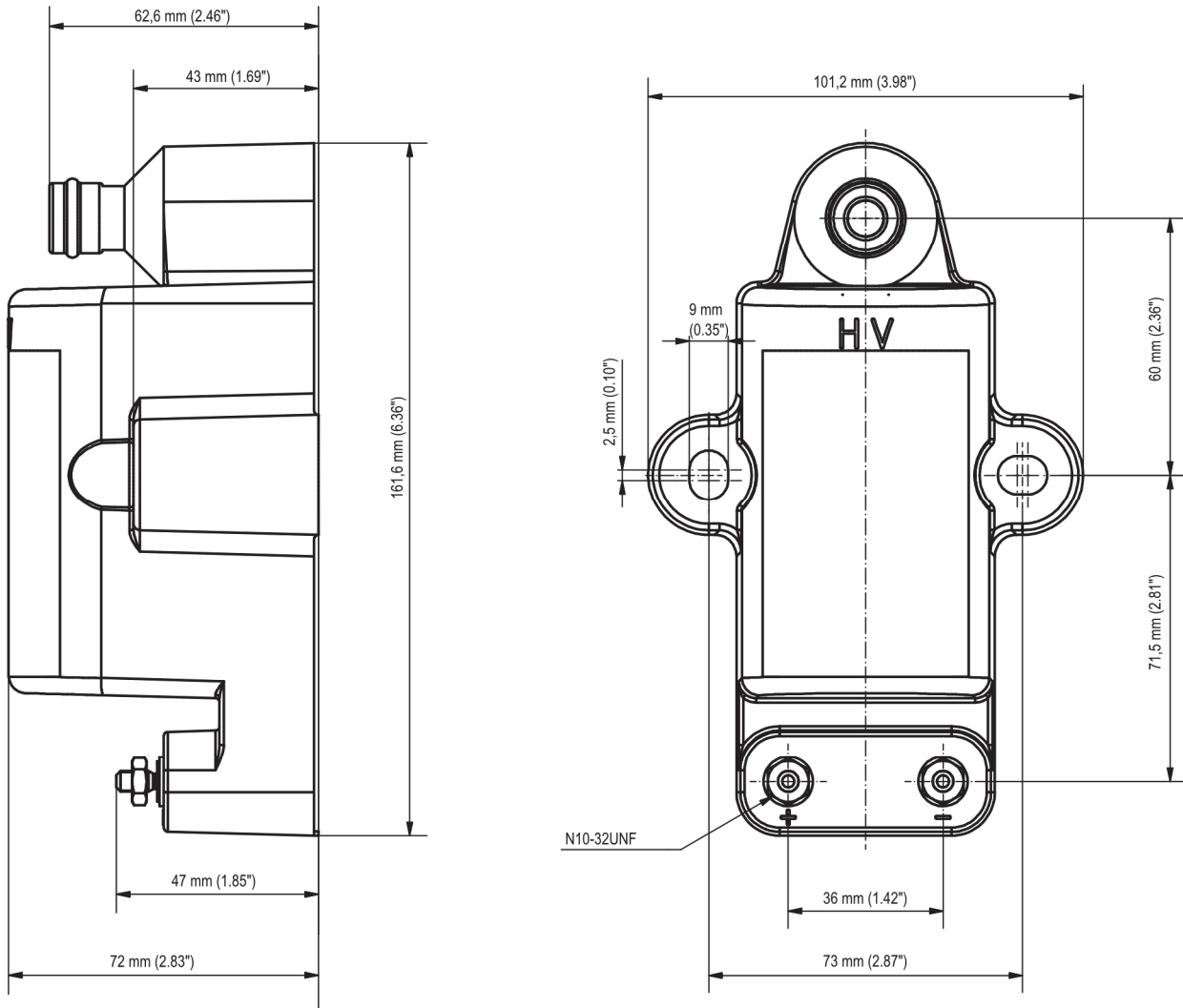
Compatibility

• Compatible ignition controllers	MIC3, MIC3+, MIC4, MIC4+, MIC5, MIC5+
• Compatible technologies	MOST ¹⁾



¹⁾ MOST – MOTORTECH Output Stage Technology used in MOTORTECH ignition controllers.

Overview Drawings



Coil Circuit Diagram

