

Ignition Coil

P/N 06.50.081

Dimensions

- Length 133,5 mm (5.3")
- Coil body diameter 61 mm (2.4")
- Width of bracket 97 mm (3.82")
- Height 72 mm (2.83")
- Distance of mounting screws Max. 75 mm (2.95")

Connections

- Primary side 10-32 UNF
- Secondary side Female
- Torque primary side 3 Nm \pm 10 % (2.2 lb-ft \pm 10 %)

Mechanical Data

- Weight Approx. 0,85 kg (1.87 lb)
- Permissible vibrations 5 g at 20 Hz to 2,000 Hz
- Torque for mounting screws on wiring rail 16 Nm \pm 10 % (11.8 lb-ft \pm 10 %)

Climatic Environmental Conditions

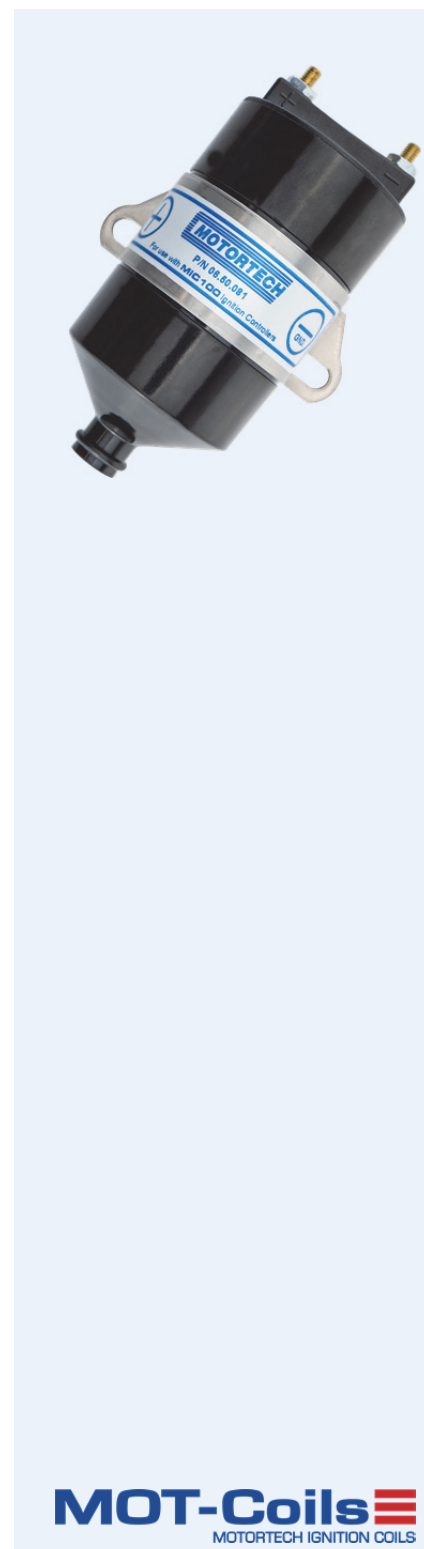
- Permissible temperature range -20°C to $+95^{\circ}\text{C}$ (-4°F to $+203^{\circ}\text{F}$)
- Maximum relative humidity 95 %

Electrical Data

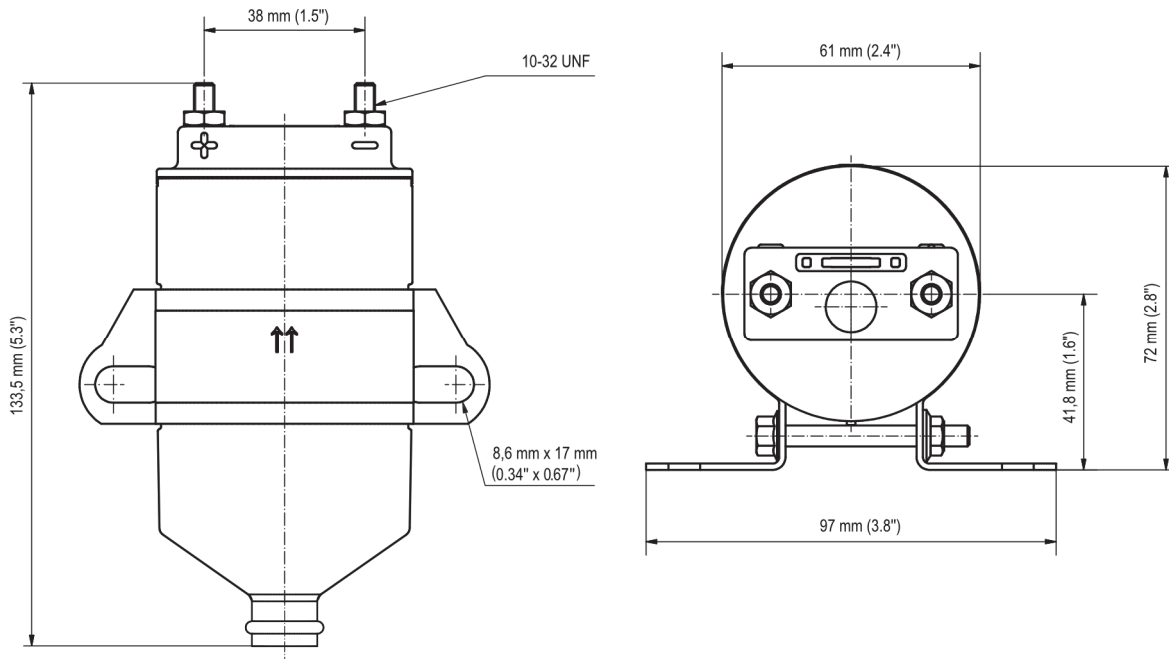
- Maximum secondary voltage 45 kV
- Resistance primary side $0.6 \Omega \pm 0.1 \Omega$
- Resistance secondary side $11.0 \text{ k}\Omega \pm 0.5 \text{ k}\Omega / -2.0 \text{ k}\Omega$

Compatibility

- Compatible ignition controllers MIC100



Overview Drawing



Coil Circuit Diagram

