

Ignition Coil

P/N 06.50.065

Dimensions

• Length	133.5 mm (5.3")
• Coil body diameter	61 mm (2.4")
• Width of bracket	97 mm (3.82")
• Height	72 mm (2.86")
• Distance of mounting screws	Max. 75 mm (2.95")

Connections

• Primary side	10-32 UNF
• Secondary side	Female
• Torque primary side	3 Nm \pm 10 % (2.2 lb-ft \pm 10 %)

Mechanical Data

• Weight	Approx. 0.85 kg (1.87 lb)
• Permissible vibrations	5 g at 20 Hz to 2,000 Hz
• Torque for mounting screws on wiring rail	16 Nm \pm 10 % (11.8 lb-ft \pm 10 %)

Climatic Environmental Conditions

• Permissible temperature range	-20 °C to +95 °C (-4 °F to +203 °F)
• Maximum relative humidity	95 %

Electrical Data

• Maximum secondary voltage	45 kV
• Resistance primary side	0.6 Ω \pm 0.1 Ω
• Resistance secondary side	11.0 k Ω +0.5 k Ω /-2.0 k Ω

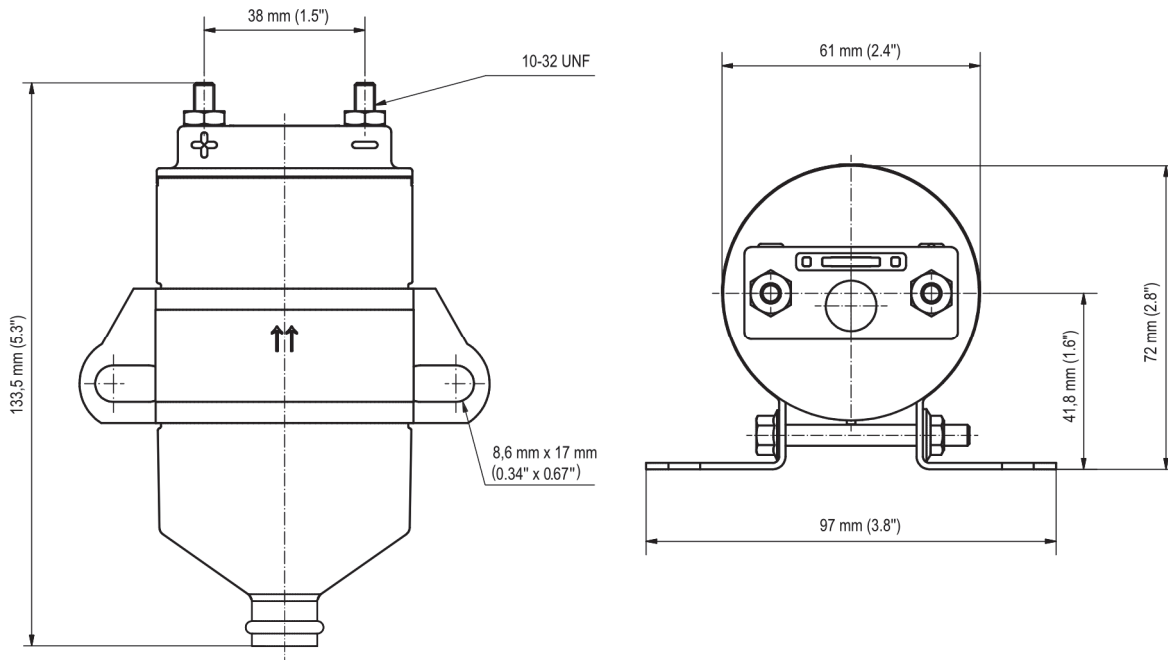
Compatibility

• Compatible ignition controllers	MIC3 series, MIC4 series, MIC5 series, MIC850
• Compatible technologies	MOST ¹⁾ , ASC ²⁾



1) MOST – MOTORTECH Output Stage Technology used in MOTORTECH ignition controllers of MIC3 series, MIC4 series, MIC5 series.
2) ASC – Automatic Spark Control used in MOTORTECH ignition controller MIC850.

Overview Drawing



Coil Circuit Diagram

