

MOTORTECH Extended Barrel Spark Plugs For JINAN[®] and SHENGLI[®] Gas Engines

For JINAN[®] V16 and SHENGLI[®] V16 and V20 gas engines, MOTORTECH offers a special spark plug based on its XTL-PLUG design. Manufactured with an integrated spark plug lead, the XTL-Plug allows a direct connection to an externally mounted ignition coil and use of diagnostic tools like a high voltage clamp or Scope Meter.

The J-type electrode design with IRIIDIUM alloy discs on center and ground electrode provides reliable combustion and increased spark plug life and helps to reduce service costs due to less spark plug changes. The M18x1.5 thread with an extended reach of 25.4 mm perfectly fits the application.

Next to the mentioned features, MOTORTECH's XTL and XT-PLUG design eliminates several of the known problems of products made by competitors.

Features

- No more trapped air in the extension barrel
- No more condensation
- No internal flash over
- High dielectric strength
- Rigid welds

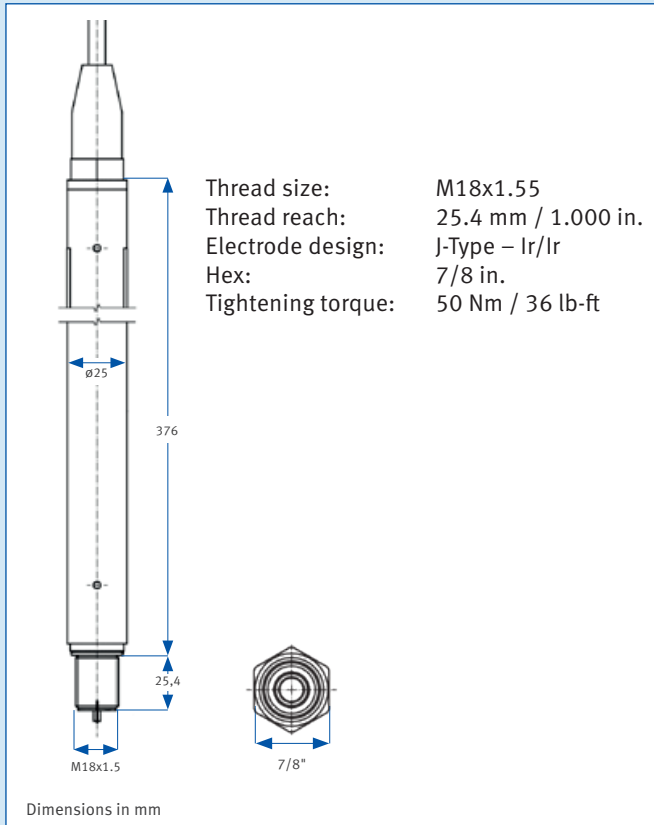
- A** Integrated 7 mm spark plug lead for a direct connection to an ignition coil
- B** 15 in. extended barrel length
- C** Integrated stress resistant resistor¹⁾ suppresses electromagnetic interference (EMI)

- D** M18x1.5 thread size with long 25.4 mm reach
- E** J-type design with copper cored center and ground electrode with laser welded IRIIDIUM alloy discs



¹⁾ Patent No.: US9,004,929 (EP2569833, DE102010016881 pending)

Technical Data & Dimensions



Additional Equipment



Spark Plug Socket
 P/N 07.99.022-6-2



Spark Plug Cleaning Kit
 P/N 44.01.023



Ignition Coil
 P/N 06.50.055



SparkView High Voltage Indicator
 P/N 06.50.099-100

Ordering Information

P/N	Description	Equivalent to
B852BEX15-B181	XTL-Plug, M18x1. 5, 15 in. barrel length, 18 in. lead length	

Ordering Information – Additional Equipment

P/N	Description	Equivalent to
07.99.022-6-2	Spark plug socket for XTL-Plugs, hex 7/8 in., 1/2 in. drive	
44.01.023	Spark plug cleaning kit	
06.50.055	Ignition coil	501061
06.90.099-100	SparkView high voltage indicator incl. SparkScan1 high voltage clamp	
02.85.016-100	Spark plug gaskets, M18, pack of 100 pcs.	



Spark plug gaskets, M18
 P/N 02.85.016-100