

VariFuel2 – Air/Fuel Ratio Mixer

P/N 30.45.200-100D/M

Variants

- control manual or via stepper motor

Dimensions

- inner diameter of nozzle 100 mm (3.94")
- outer diameter of mixer 200 mm (7.87")
- length of mixer 161 mm (6.34")
- maximum length 237 mm (9.33") (with stepper motor)
161 mm (6.34") (without stepper motor)

Connections

- stepper motor 10-pole military connector

Weight

- P/N 30.45.200-100D 9.2 kg (20.29 lbs) (with stepper motor)
- P/N 30.45.200-100M 8.0 kg (17.64 lbs) (without stepper motor)

Mechanical Data

- permissible vibrations 5g at 20 to 2000 Hz
- chemical resistance water, oil, gaseous fuels
- maximum pressure 1 bar (14.50 psi)
- maximum temperature of the medium flowing through 50 °C (122 °F)

Climatic Environmental Conditions

- permissible temperature range -10 °C to +80 °C (+14 °F to +176 °F)
- maximum relative humidity 85% without condensation up to 2000 m (6561') above sea level

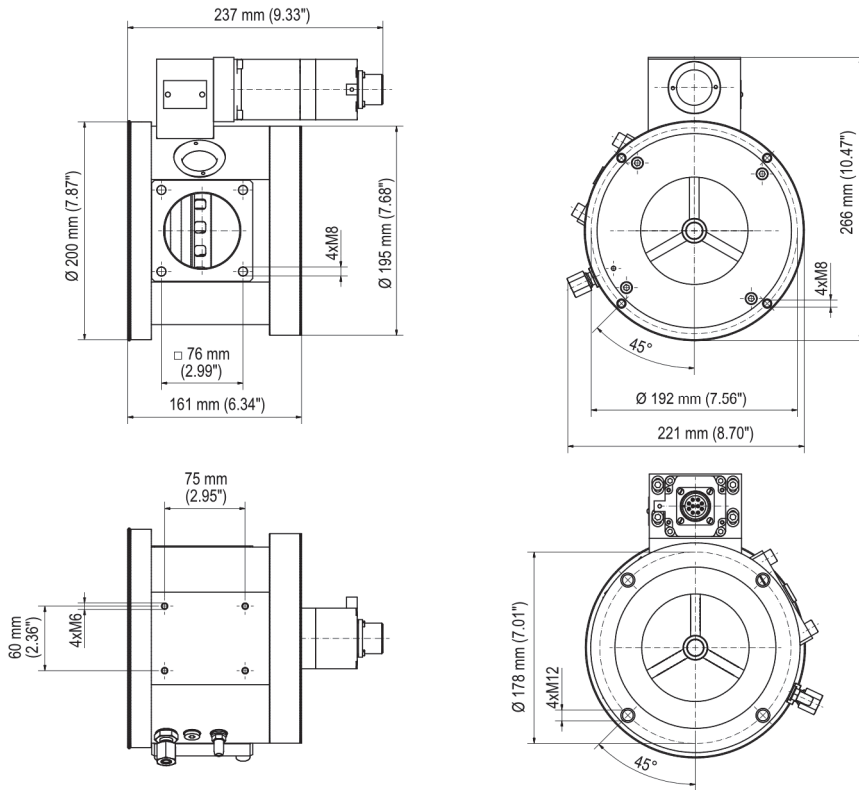
Characteristics of Stepper Motor

- maximum rotation angle of the stepper motor 56,9°



Overview Drawings

P/N 30.45.200-100D



P/N 30.45.200-100M

