

VariFuel2 – Air/Fuel Ratio Mixer

P/N 30.45.100-60D/M

Variants

- control manual or via stepper motor

Dimensions

- inner diameter of nozzle 60 mm (2.36")
- outer diameter of mixer 100 mm (3.94")
- length of mixer 107 mm (4.21")
- maximum length 235 mm (9.25") (with stepper motor)
123 mm (4.84") (without stepper motor)

Connections

- stepper motor 10-pole military connector

Weight

- P/N 30.45.100-60D 4.7 kg (10.36 lbs) (with stepper motor)
- P/N 30.45.100-60M 3.6 kg (7.94 lbs) (without stepper motor)

Mechanical Data

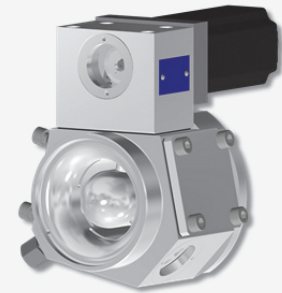
- permissible vibrations 5g at 20 to 2000 Hz
- chemical resistance water, oil, gaseous fuels
- maximum pressure 1 bar (14.50 psi)
- maximum temperature of the medium flowing through 50 °C (122 °F)

Climatic Environmental Conditions

- permissible temperature range -10 °C to +80 °C (+14 °F to +176 °F)
- maximum relative humidity 85% without condensation up to 2000 m (6561') above sea level

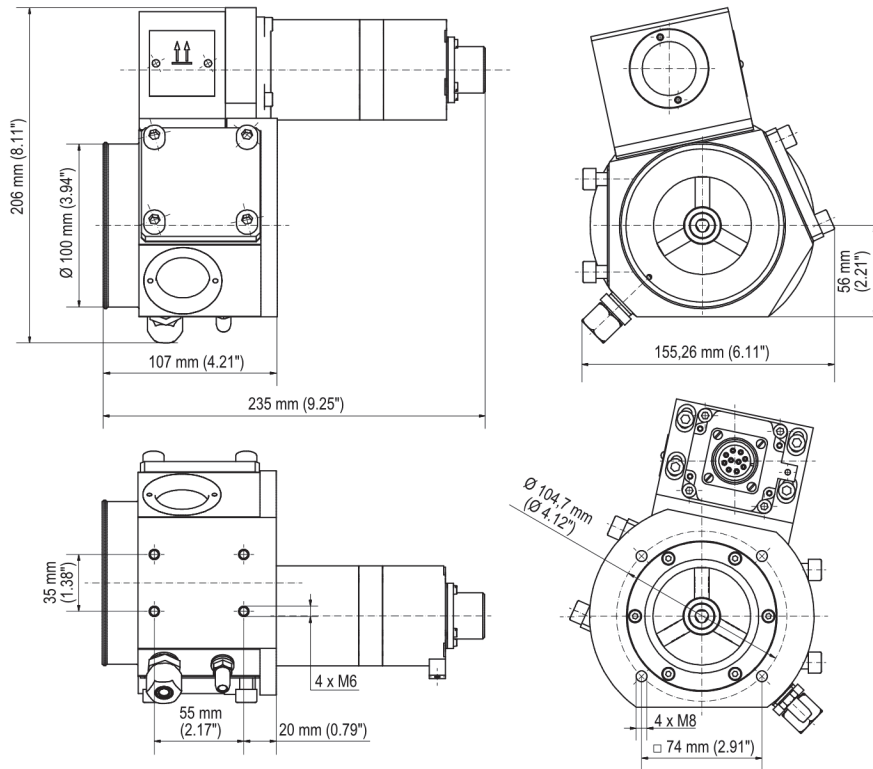
Characteristics of Stepper Motor

- maximum rotation angle of the stepper motor 192°



Overview Drawings

P/N 30.45.100-60D



P/N 30.45.100-60M

