

Flange Ignition Coil

P/N 95.09.101

Dimensions

- Length 167.4 mm (6.94")
- Coil diameter 62 mm (2.44")
- Flange diameter 108 mm (4.25")
- Distance between fastening screws 90 mm (3.54")

Connections

- Primary side Mil. 3 pole, 5/8-24 UNEF female
- Secondary side 3 Nm (2.2 lb-ft) \pm 10 %
- Torque primary side

Mechanical Data

- Weight approx. 1.5 kg (3.3 lb)
- Permissible vibrations 5 g at 20 Hz to 2000 Hz
- Torque of fastening screws on the flange max. 25 Nm (18.4 lb-ft)

Climatic Environmental Conditions

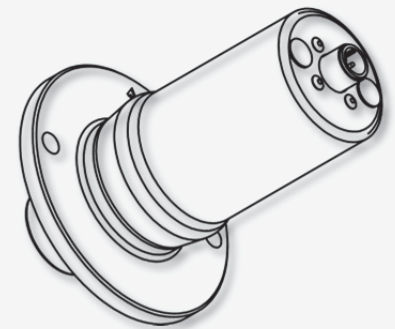
- Permissible operating temperature -20 °C to +100 °C (-4 °F to +212 °F)
- Permissible storage temperature -40 °C to +120 °C (-40 °F to +248 °F)
- Maximum relative humidity 95 %

Electrial Data

- Maximum secondary voltage 40.5 kV \pm 2.5 kV
- Resistance primary side 0.6 Ω \pm 0.1 Ω
- Resistance secondary side 11.5 k Ω +0.5/-2 k Ω

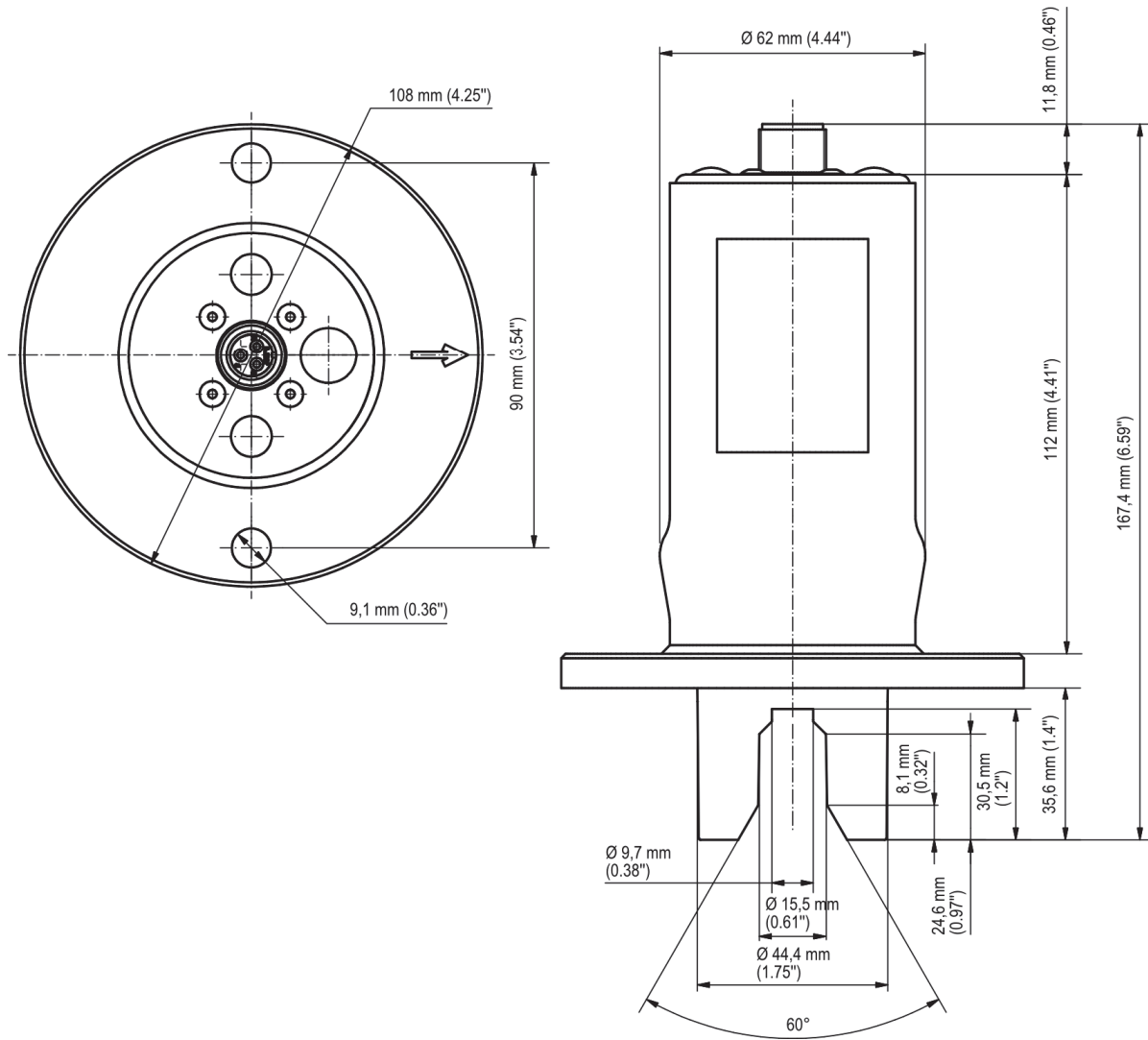
Compatibility

- Compatible ignition controllers MIC3, MIC3+, MIC4, MIC4+, MIC5, MIC5+, MIC500, MIC850
- Compatible technologies MOST¹⁾, ASC²⁾



1) MOST – MOTORTECH Output Stage Technology used in MOTORTECH ignition controllers of MIC3 series, MIC4 series, MIC5 series
 2) ASC – Automatic Spark Control used in MOTORTECH ignition controller MIC850.

Overview Drawings



Coil Circuit Diagram

