

Ignition Coil

P/N 06.50.113

Dimensions

- Length 161.6 mm (6.36")
- Width 101.2 mm (3.98")
- Height 72 mm (2.83")
- Distance between fastening screws 73 mm (2.87")

Connections

- Primary side N10-32UNF
- Secondary side Female
- Torque primary side 3 Nm (2.2 lb-ft) ± 10 %

Mechanical Data

- Weight Approx. 1 kg (2.2 lb)
- Permissible vibrations 5 g at 20 Hz to 2000 Hz
- Torque of fastening screws on the ignition rail 16 Nm (11.8 lb-ft) ± 10 %

Climatic Environmental Conditions

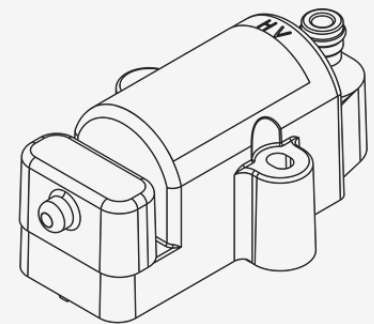
- Permissible temperature range -20 °C to +95 °C (-4 °F to +203 °F)
- Maximum relative humidity 95 %

Electrial Data

- Maximum secondary voltage 45 kV
- Resistance primary side $0.55 \Omega \pm 0.5 \Omega$
- Resistance secondary side $8.5 \text{ k}\Omega \pm 1.5 \text{ k}\Omega$
- Polarity Negative ground

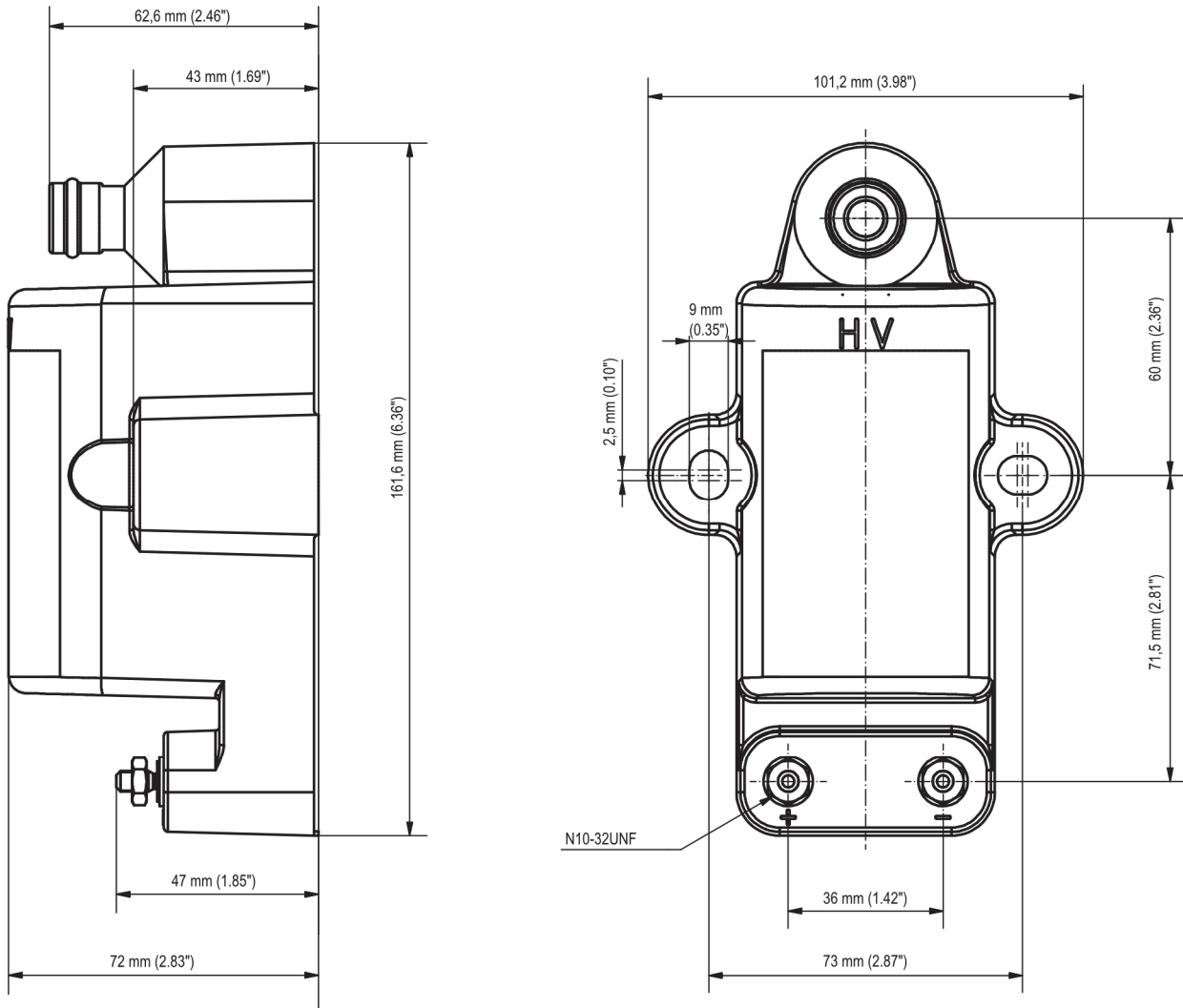
Compatibility

- Compatible ignition controllers MIC3, MIC3+, MIC4, MIC4+, MIC5, MIC5+
- Compatible technologies MOST ¹⁾



¹⁾ MOST – MOTORTECH Output Stage Technology used in MOTORTECH ignition controllers.

Overview Drawings



Coil Circuit Diagram

