

Ignition Coil

P/N 06.50.055

Dimensions

- Length 133.5 mm (5.3")
- Coil body diameter 61 mm (2.4")
- Width of bracket 97 mm (3.82")
- Height 72 mm (2.86")
- Distance of mounting screws Max. 75 mm (2.95")

Connections

- Primary side 10-32 UNF
- Secondary side female
- Torque primary side 3 Nm \pm 10 % (2.2 lb-ft \pm 10 %)

Mechanical Data

- Weight approx. 0.73 kg (1.61 lb)
- Permissible vibrations 5 g at 20 Hz to 2,000 Hz
- Torque for mounting screws on wiring rail 16 Nm \pm 10 % (11.8 lb-ft \pm 10 %)

Climatic Environmental Conditions

- Permissible temperature range -20 °C to +95 °C (-4 °F to +203 °F)
- Maximum relative humidity 95 %

Electrical Data

- Maximum secondary voltage 45 kV
- Resistance primary side 0.25 Ω \pm 0.1 Ω
- Resistance secondary side 6.5 k Ω \pm 0.5 k Ω

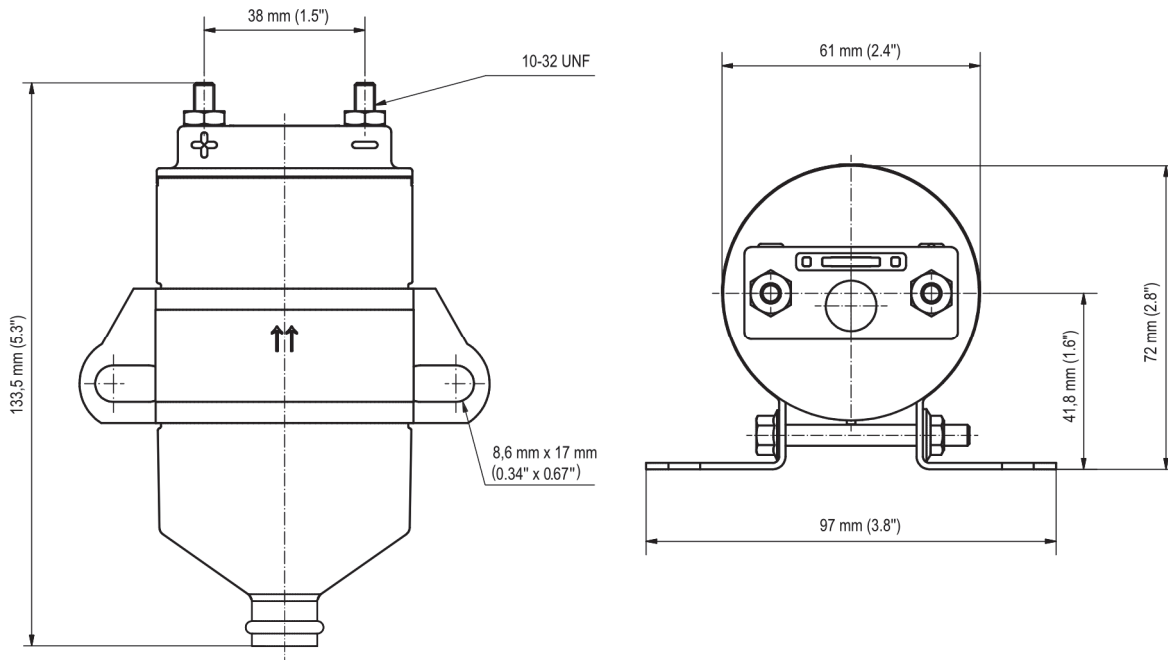
Compatibility

- Equivalent to the following ignition coil 501061
- Compatible ignition controllers MIC500, ALT I, ALT III, ALT V, CD1, CD200, CD200D, DISN, CPU90, CPU95, CEC
- Compatible technologies Spark Reference¹⁾



1) Spark Reference – ALTRONIC® high voltage indication system

Overview Drawing



Coil Circuit Diagram

