

Throttle Bodies with Integrated Stepper Motor

P/N 30.42.050-D, P/N 30.42.050-D-HT

Variants

- standard diameters D of the throttle (*see drawing*) 42 mm (1.65")
- possible diameters of the throttle 41 mm (1.61") to 42 mm (1.65")

Dimensions

- length/width of mounting flange 88 mm (3.46")
- hole spacing on the mounting flange 57 mm (2.24")
- height of mounting flange 40 mm (1.57")
- length including stepper motor 245 mm (9.65") (*standard version*)
270 mm (10.63") (*HT version*)
- width of stepper motor 56.4 mm (2.22")

Connections

- stepper motor 10-pole military connector

Weight

- P/N 30.42.050-42 1.7 kg (3.75 lbs)
- P/N 30.42.050-42-HT 1.8 kg (3.97 lbs)

Mechanical Data

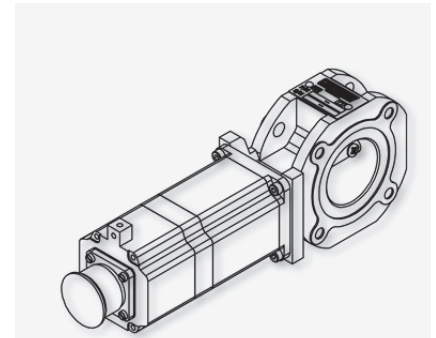
- permissible vibrations 5g at 20 to 2000 Hz
- maximum rotation angle of the throttle 80°
- chemical resistance water, oil, gaseous fuels
- maximum pressure 6 bar (87 psi)
- maximum temperature of the medium flowing through 125 °C (257 °F) (*standard version*)
200 °C (392 °F) (*HT version*)

Climatic Environmental Conditions

- permissible temperature range -20 °C to +85 °C (-4 °F to +185 °F)
- maximum relative humidity 95%

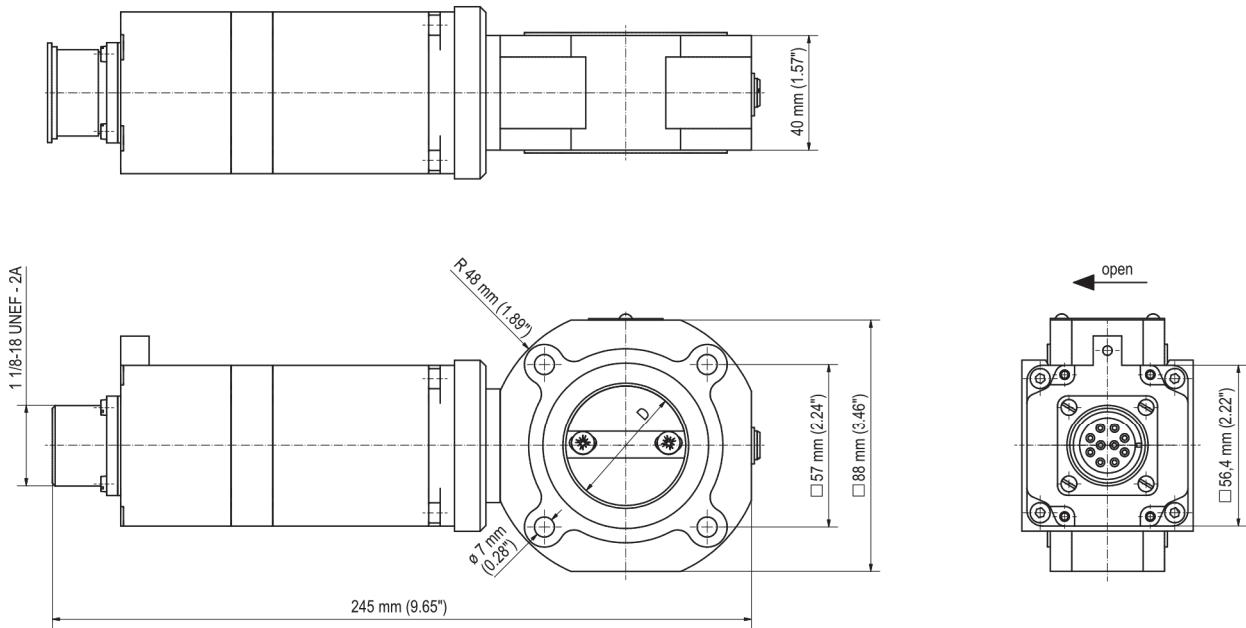
Characteristics of Stepper Motor

- resolution 0.05625°
- speed (when opening 80°) 170 ms
- holding torque 1.4 Nm (1.03 lb-ft)



Overview Drawings

P/N 30.42.050-D



P/N 30.42.050-D-HT

