

Throttle Bodies with Integrated Stepper Motor

P/N 30.42.200-D, P/N 30.42.200-D-HT

Variants

- standard diameters D of the throttle (*see drawing*) 100 mm (3.94"), 110 mm (4.33"), 115 mm (4.53")
- possible diameters of the throttle 98 mm (3.86") to 125 mm (4.92")

Dimensions

- length/width of mounting flange 180 mm (7.08")
- hole spacing on the mounting flange 126 mm (4.96")
- height of mounting flange 110 mm (4.33")
- length including stepper motor 342 mm (13.46") (*standard version*)
381 mm (15.00") (*HT version*)
- width of stepper motor 85.9 mm (3.38")

Connections

- stepper motor 10-pole military connector

Weight

- P/N 30.42.200-100 8.7 kg (19.18 lbs)
- P/N 30.42.200-110 8.2 kg (18.08 lbs)
- P/N 30.42.200-115 7.9 kg (17.42 lbs)
- P/N 30.42.200-100-HT 8.8 kg (19.40 lbs)
- P/N 30.42.200-110-HT 8.3 kg (18.30 lbs)
- P/N 30.42.200-115-HT 8.0 kg (17.64 lbs)

Mechanical Data

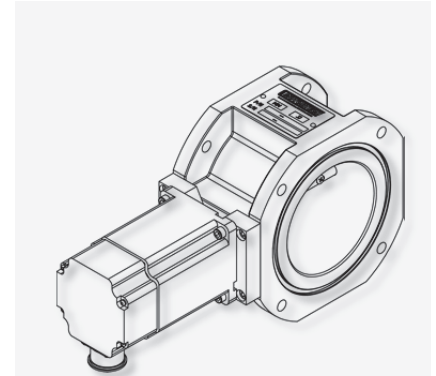
- permissible vibrations 5g at 20 Hz to 2000 Hz
- maximum rotation angle of the throttle 80°
- chemical resistance water, oil, gaseous fuels
- maximum pressure 6 bar (87 psi)
- maximum temperature of the medium flowing through +125 °C (+257 °F) (*standard version*)
+200 °C (+392 °F) (*HT version*)

Climatic Environmental Conditions

- permissible temperature range -20 °C to +85 °C (-4 °F to +185 °F)
- maximum relative humidity 95%

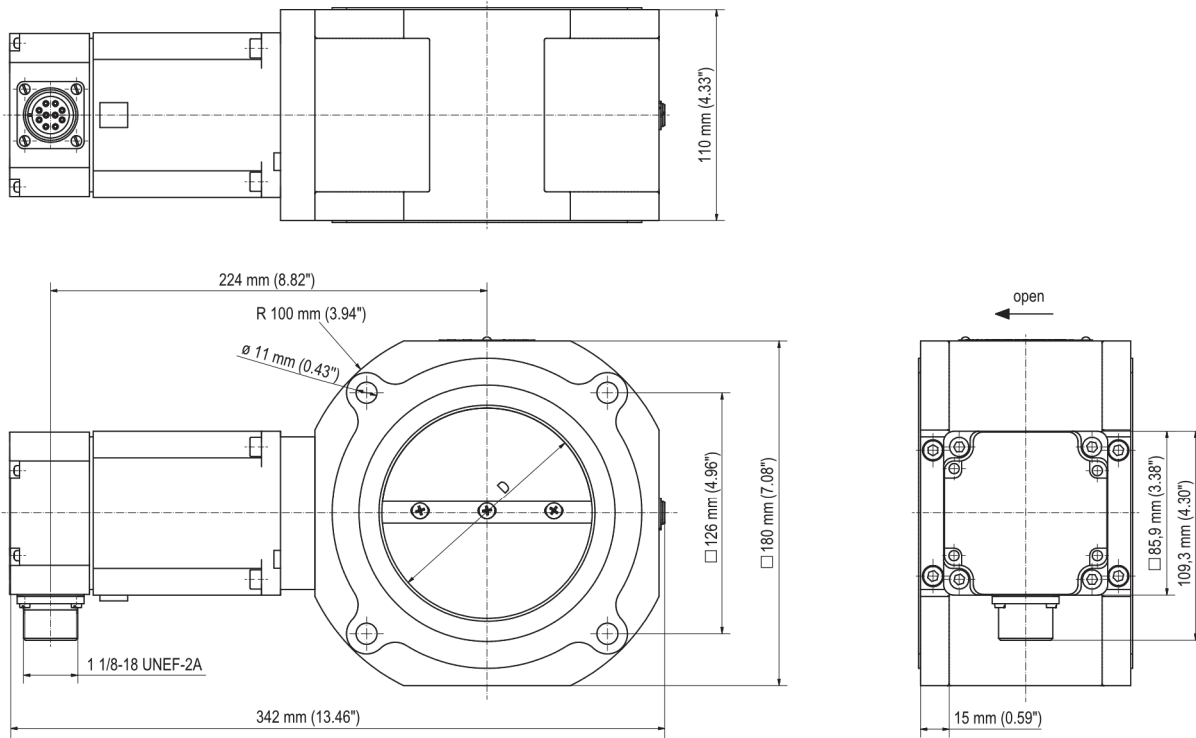
Characteristics of Stepper Motor

- resolution 0.1125°
(in 1/16 microstep operation mode)
- speed (when opening from 10% to 90%) 250 ms (*VariStep*)
40 ms (*VariStep3*)
- holding torque 4.0 Nm (2.95 lb-ft) (*VariStep*)
5.4 Nm (3.98 lb-ft) (*VariStep3*)



Overview Drawings

P/N 30.42.200-D



P/N 30.42.200-D-HT

