

Throttle Bodies with Integrated Stepper Motor

P/N 30.42.150-D, P/N 30.42.150-D-HT

Variants

- standard diameters D of the throttle (*see drawing*) 90 mm (3.54"), 100 mm (3.94")
- possible diameters of the throttle 82 mm (3.23") to 104 mm (4.09")

Dimensions

- length/width of mounting flange 150 mm (5.91")
- hole spacing on the mounting flange 110 mm (4.33")
- height of mounting flange 80 mm (3.15")
- length including stepper motor 310 mm (12.20") (*standard version*)
348 mm (13.70") (*HT version*)
- width of stepper motor 85.9 mm (3.38")

Connections

- stepper motor 10-pole military connector

Weight

- P/N 30.42.150-90 6.3 kg (13.89 lbs)
- P/N 30.42.150-100 6.2 kg (13.67 lbs)
- P/N 30.42.150-90-HT 6.4 kg (14.11 lbs)
- P/N 30.42.150-100-HT 6.3 kg (13.89 lbs)

Mechanical Data

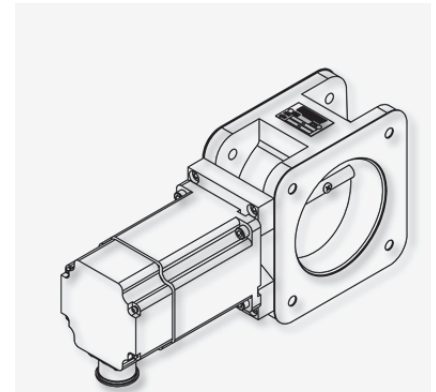
- permissible vibrations 5g at 20 to 2000 Hz
- maximum rotation angle of the throttle 80°
- chemical resistance water, oil, gaseous fuels
- maximum pressure 6 bar (87 psi)
- maximum temperature of the medium flowing through 125 °C (257 °F) (*standard version*)
200 °C (392 °F) (*HT version*)

Climatic Environmental Conditions

- permissible temperature range -20 °C to +85 °C (-4 °F to +185 °F)
- maximum relative humidity 95%

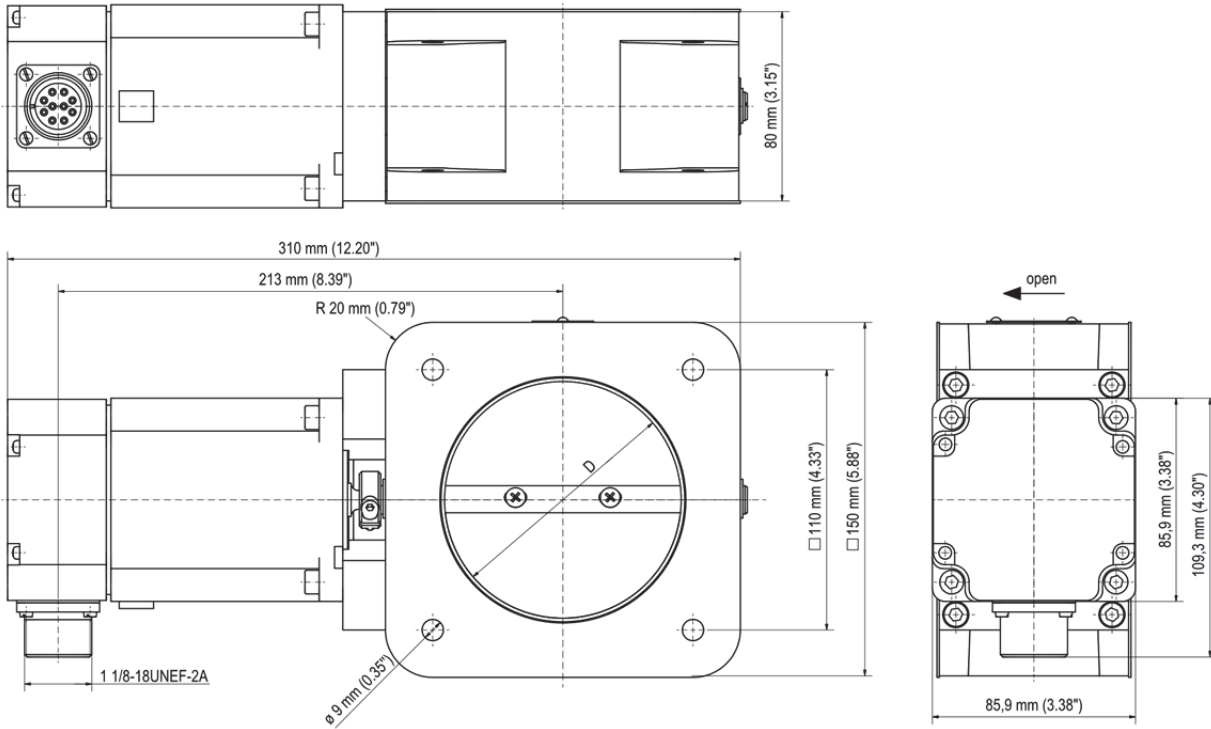
Characteristics of Stepper Motor

- resolution 0.1125°
- speed (when opening 80°) 310 ms
- holding torque 3.25 Nm (2.40 lb-ft)



Overview Drawings

P/N 30.42.150-D



P/N 30.42.150-D-HT

