

New Product	Product Update	Product Information
Technical Information	Price Update	Marketing Information
No. 2013/05	Date November 06, 2013	Page 1/3

Discontinuation of MURPHY® Lube Level Maintainer – LM2000 Series Supplement to MOTORTECH Bulletin NPrd-02-12-Murphy-LM500

As announced last year, Murphy has discontinued the production of Lube Level Maintainer LM2000. During the discontinuation period, the supply of spare parts for existing installations is ensured.

The LM500 series, introduced last year, is a high-quality replacement and it offers our customers many additional features and options.

Features LM500 Series:

- Test Feature (TF) allows test of float and switch
- Direct Mount (DM) capable
- Eliminates under/overfill due to “human error”
- See oil level and condition without shutting down
- Bigger lens
- Simple installation
- Automatically maintains lube level
- Low level, 3-wire, snap-action switch
- Improved sealing of the device
- Positive sealing Thumb-Valve™
- ATEX version available
- *Not intended for use with fuel*



LM2000 series



LM500 series

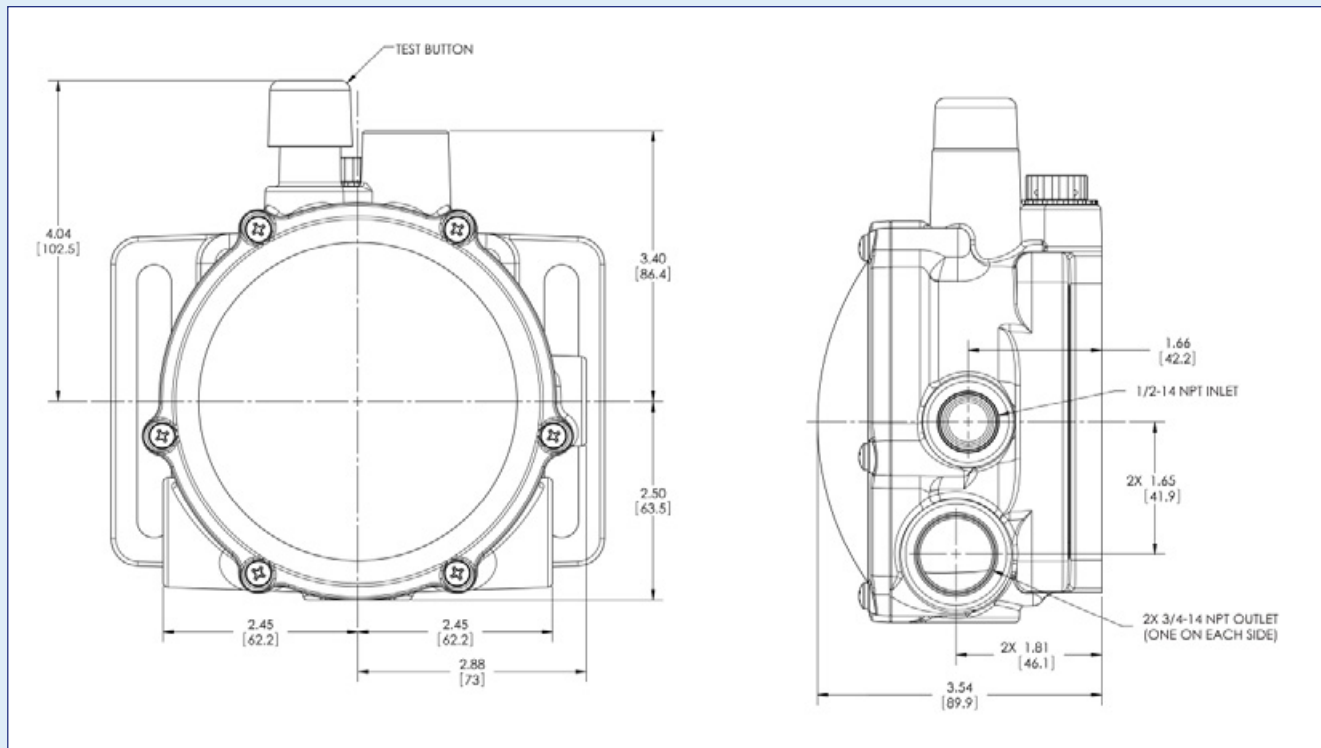
New Product	Product Update	Product Information
Technical Information	Price Update	Marketing Information
No. 2013/05	Date November 06, 2013	Page 2/3

MURPHY® Lube Level Maintainer – LM500 Series

The LM500 series lube level maintainer reliably regulates the oil level in the crankcase of your engine, pump or compressor. Adjusted to the correct running-oil-level, it will replenish oil as it is used. The low-level switch will alarm and/or shutdown the equipment if supply oil is lost and the equipment continues to use oil.

Unlike the lube level maintainers of the LM2000 series, the LM500 series (model TF) features an optional test button. Using this button, the operator can check the state of the float and the switch anytime.

Dimensions



New Product	Product Update	Product Information
Technical Information	Price Update	Marketing Information
No. 2013/05	Date November 06, 2013	Page 3/3

Specifications – Comparison LM500 / LM2000 Series

	LM500 Series	LM2000 Series
Crankcase balance vent connection	1/2 NPTF (top)	1/2 NPTF (top)
Inlet connection	1/2 NPTF removable screen (side)	1/2 NPTF removable screen (side)
Outlet connection	2x 3/4 NPTF (side), 1x 3/4 NPTF (bottom)	1x 3/4 NPTF (bottom)
ThumbValve™ material	Viton	Viton
Snap-switch	SPDT rating 10 A, 125 VAC; 0.5 A, 125 VDC; 10 A, 30 VDC	SPDT rating 10 A, 125 VAC; 0.5 A, 125 VDC; 10 A, 30 VDC
Wire leads	18 AWG x 14 in. ± 2 in. (355 mm) length	18 AWG x 14 in. ± 2 in. (355 mm) length
Conduit connection	1/2 inch conduit (female, top)	1/2 inch conduit (female, top)
Case	Die cast aluminum	Die cast aluminum
Lens	Clear “Frog Eye” non-staining, high impact, high temperature polycarbonate; UV and heat stabilized	Clear “Frog Eye” non-staining, high impact, high temperature polycarbonate; UV and heat stabilized
Dial	High visibility white background with solid green band for normal level indication	High visibility white background with green and white “index” lines for normal level indication
Maximum inlet pressure	9.50 psi/0,66 bar / 25 ft. oil (head pressure)	9.50 psi/0,66 bar / 25 ft. oil (head pressure)
Maximum case pressure	1,03 bar/15 psi/103 kPa	1,03 bar/15 psi/103 kPa
Maximum differential	2 in. (51 mm) between running and stopped	2 in. (51 mm) between running and stopped
Maximum ambient temperature	250°F (121°C)	250°F (121°C)
Float	304 Stainless Steel	Brass
Flow rates	Refer to „LM500 Series Flow Rates“ chart for application data	SAE 40 motor oil @ 32°F (0°C) with 2 ft. head pressure: 0.5 GPH

Flow Rates – LM500 Series

