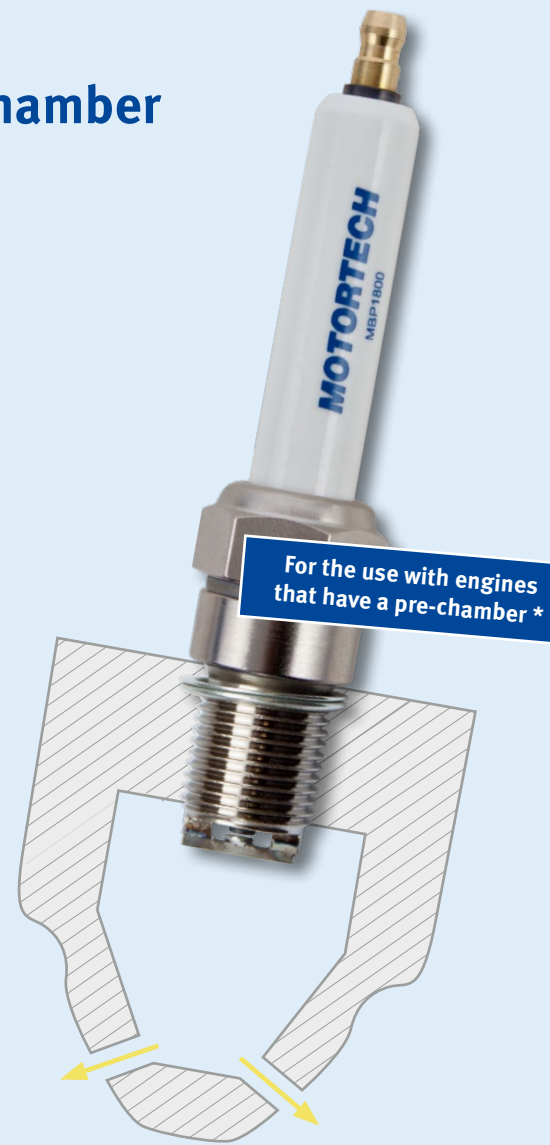
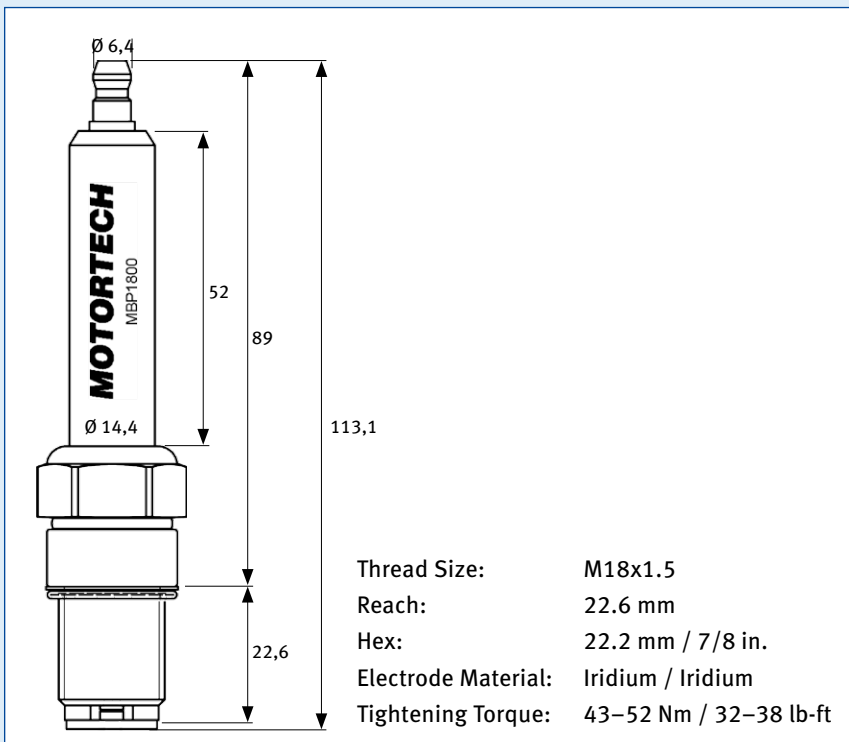


New Product	Product Update	Product Information
Technical Information	Price Update	Marketing Information
No. 2014/05	Date March 10, 2014	Page 1/1

MBP1800 Bridge Plug for Use with Engines that have a Pre-Chamber

The MBP1800 Bridge Plug is a high performance and extremely durable spark plug for use with gas engines that have a high BMEP (> 20 bar). It uses an innovative, highly solid electrode design, thus granting three times longer lifetimes than any traditional J-gap spark plug can do.

- Long life
- Periodically cleaning sufficient, no electrode re-adjusting necessary
- New bridge electrode design
- Large spark surface area (11mm²/ 0.017 sq in.)
- Double iridium electrodes
- Advanced welding process
- M18 thread



* all MOTORTECH or your nearest MOTORTECH sales partner for information about the range of application.