

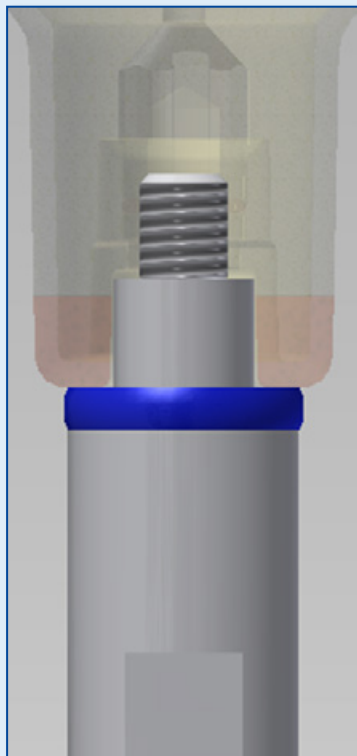
New Product	Product Update	Product Information
Technical Information	Price Update	Marketing Information
No. 2015/22	Date July 07, 2015	Page 1/2

## Improved Ignition Coils For CATERPILLAR® G3520C & G3600 Series

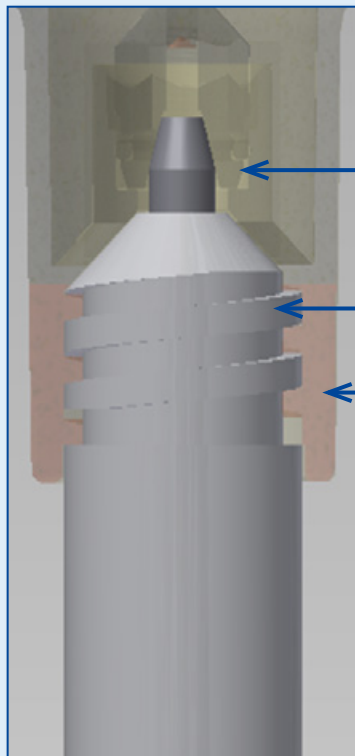
MOTORTECH replaces its widely spread ignition coil **P/N 06.50.161** for CATERPILLAR G3520C and G3600 series engines by a **new improved model with P/N 06.50.164**.

This new design offers following new features:

### High Voltage Termination



Old Design



New Design



New high voltage termination

New extension to coil termination

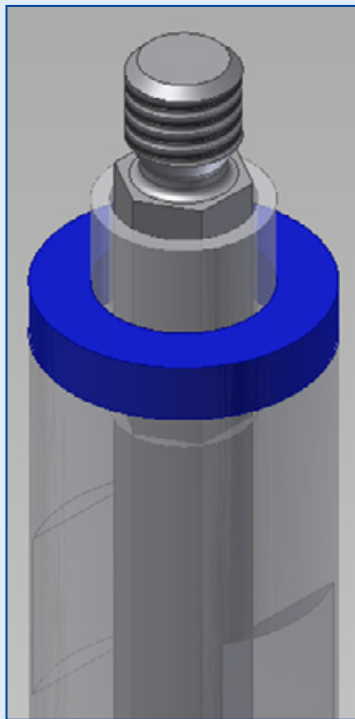
Extended housing with longer flash-over distance for improved dielectric strength

#### DISTRIBUTION

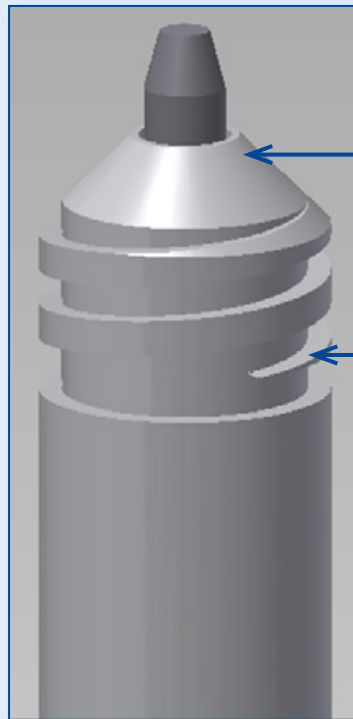
Customers / others	Yes
Representatives and sales partners	Yes
OEM partners	Yes
MOTORTECH subsidiaries	Yes

New Product	Product Update	Product Information
Technical Information	Price Update	Marketing Information
No. 2015/22	Date July 07, 2015	Page 2/2

## Spark Plug Extension



Old Design



New Design

New Teflon® spark plug extension with spring-loaded secondary terminal rod

Large thread for extension to coil termination

### Ordering Information

P/N	Supersedes	Description	Compatible Ignition Controllers	Equivalent to
06.50.164	06.50.161	Ignition coil incl. spark plug extension	ADEM control system	310-3180
06.50.165 <sup>1)</sup>	06.50.162	Ignition coil incl. spark plug extension	MIC3/ 4/ 5 series	310-3180

<sup>1)</sup>Ignition coil only for use with MIC3, MIC4 and MIC5 ignition controllers.

### Ordering Information - Subcomponent

P/N	Supersedes	Description	Fits Ignition Coil P/N	Equivalent to
06.80.600		Spark plug extension	06.50.164, 06.50.165	

**MOTORTECH GmbH**  
 Hogrevestr. 21-23  
 29223 Celle, Germany  
 Phone: +49 5141 - 93 99 0  
 Fax: +49 5141 - 93 99 99  
 www.motortech.de  
 motortech@motortech.de

**MOTORTECH AMERICAS, LLC**  
 1400 Dealers Avenue, Suite A  
 New Orleans, LA 70123  
 Phone: +1 504 355 4212  
 Fax: +1 504 355 4217  
 www.motortechamericas.com  
 info@motortechamericas.com

### DISTRIBUTION

Customers / others	Yes
Representatives and sales partners	Yes
OEM partners	Yes
MOTORTECH subsidiaries	Yes