

New Product	Product Update	Product Information
Technical Information	Price Update	Marketing Information
No. 2014/22	Date 11.09.2014	Page 1/1

New MOTORTECH Camshaft Trigger Magnet for CATERPILLAR® G3500 Series

- Strong magnet
- Rigid design
- Magnet protected by aluminum housing
- Thread M8 x 1.25
- Installation torque 25-30 lb-ft/33-40 Nm
- HEX ¾"
- Easy installation due to use of existing threaded holes in camshaft gear



Ordering Information

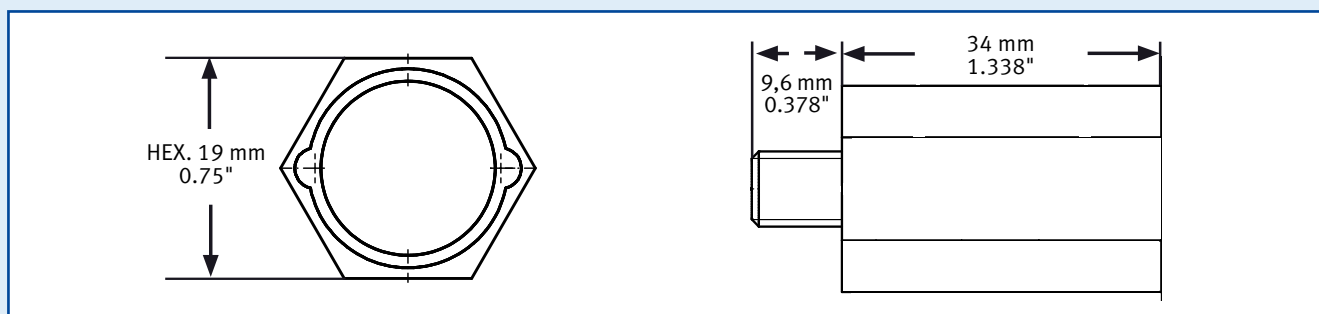
P/N	Description	Equivalent to
06.60.925	Trigger Magnet, M8x1.25, ¾"	260605/ 260604

For use with Hall Effect Pickups

P/N	Description	Equivalent to
66.60.002-L 95.70.002-L	Pickup, Hall Effect, 5/8-18 UNF – Active low	791050-L
66.60.012-L 95.70.012-L	Pickup, Hall Effect, 5/8-18 UNF – Active high	591014-L



Technical Overview



Call your nearest MOTORTECH sales partner for more information or contact us via Mail: sales@motortech.de.

	Distribution		
Customers / others	Yes	OEM partners	No
Representatives and sales partners	Yes	MOTORTECH subsidiaries	Yes