

Product Guide



PRIMARY LEADS

Chapter 04

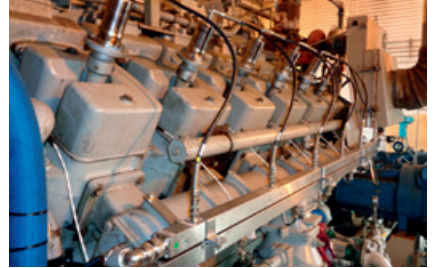
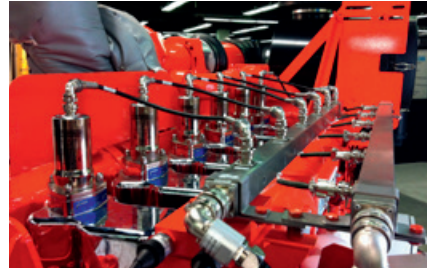
Primary Leads

SHIELDED

Primary Leads – New Flex Style

In addition to its conventional primary leads, MOTORTECH offers a new type of primary lead that is produced with a special wire. The new primary leads are compliant with CSA Class I, Division 2, Group D, and they offer a significantly higher flexibility than conventional leads, shielded with braided steel, while being highly resistant to all kinds of environmental conditions.

The multi-layer design of the wire is free of entrapped air and prevents the accumulation of condensed water which can result in primary voltage flash-overs. Several different configurations with durable 90-degree and 180-degree 2-pole and 3-pole connectors are available.



New Flex Style



Conventional Style

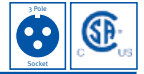


The oil and UV resistant multi-conductor wire is specially designed for shielded CSA certified primary leads. It consists of a multi layer design:

- Fine bare copper wire
- PVC/Nylon insulation
- Aluminum-plated foil and tinned copper braid
- PVC jacket
- Temperature range -40° C to +90° C (-40° F to +194° F)

This design ensures that no humidity can be trapped in the lead.

Primary Leads



Primary Leads – 3 Pole Ignition Coil Connection – NPT Adaptors to Outlet Box

Shielded		Unshielded	Ignition Coil Connector	Outlet Box Adaptor	Conductor	Equivalent to
New Flex Style	Conventional Style					
P/N ¹⁾						
95.01.110-L	95.01.010-L		MIL, 3 pole, socket, 180°	1/2-14 NPT, 180°	2 wire	593022-L
95.01.110-L-3	95.01.010-L-3		MIL, 3 pole, socket, 180°	3/8-18 NPT, 180°	2 wire	LT73002-L
95.01.120-L	95.01.020-L		MIL, 3 pole, socket, 90°	1/2-14 NPT, 180°	2 wire	593027-L
95.01.120-L-3	95.01.020-L-3		MIL, 3 pole, socket, 90°	3/8-18 NPT, 180°	2 wire	LT73012-L
95.01.121-L	95.01.021-L		MIL, 3 pole, socket, 90°	1/2-14 NPT, 180°	2 wire	593029-L
95.01.122-L	95.01.022-L		MIL, 3 pole, socket, 90°	1/2-14 NPT, 180°	2 wire ²⁾	593036-L
95.01.123-L	95.01.023-L		MIL, 3 pole, socket, 180°	1/2-14 NPT, 180°	2 wire ²⁾	593035-L

¹⁾ Standard braid lengths (“-L”) = 6 in., 9 in., 12 in., 15 in., 18 in., 24 in., 30 in., 36 in., 42 in., 48 in., 54 in., 60 in., 72 in., 84 in., 96 in., 108 in., 120 in., 135 in., 138 in., 150 in.; other lengths available on request.

²⁾ Wire length is double of braid length.

Ignition Systems

Repair Kits for Conventional Style Shielded Primary Leads – 3 Pole Ignition Coil Connection

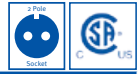


P/N	Description	Lead Length	Ignition Coil Connector	Conductor	For use with Primary Lead, Length 10 to 180 in.	Equivalent to
95.01.010-42-RC	Repair kit	42 in.	MIL, 3 pole, socket, 180°	2 wire	95.01.010-L, 593022-L	583017-42
95.01.010-60-RC	Repair kit	60 in.	MIL, 3 pole, socket, 180°	2 wire	95.01.010-L, 593022-L	583017-60
95.01.010-96-RC	Repair kit	96 in.	MIL, 3 pole, socket, 180°	2 wire	95.01.010-L, 593022-L	583017-96
95.01.010-180-RC	Repair kit	180 in.	MIL, 3 pole, socket, 180°	2 wire	95.01.010-L, 593022-L	583017-180
95.01.020-42-RC	Repair kit	42 in.	MIL, 3 pole, socket, 90°	2 wire	95.01.020-L, 593027-L	583018-42
95.01.020-60-RC	Repair kit	60 in.	MIL, 3 pole, socket, 90°	2 wire	95.01.020-L, 593027-L	583018-60
95.01.020-96-RC	Repair kit	96 in.	MIL, 3 pole, socket, 90°	2 wire	95.01.020-L, 593027-L	583018-96
95.01.020-180-RC	Repair kit	180 in.	MIL, 3 pole, socket, 90°	2 wire	95.01.020-L, 593027-L	583018-180



Primary Leads

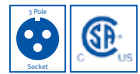
Primary Leads – 2 Pole Ignition Coil Connection – NPT Adaptors to Outlet Box



Shielded		Unshielded	Ignition Coil Connector	Outlet Box Adaptor	Conductor	Equivalent to
New Flex Style	Conventional Style					
P/N ¹⁾						
95.06.110-L	95.06.010-L		MIL, 2 pole, socket, 180°	1/2-14 NPT, 180°	2 wire	A754-L, LT2001-L
95.06.120-L	95.06.020-L		MIL, 2 pole, socket, 90°	1/2-14 NPT, 180°	2 wire	B754-L, LT2011-L
	95.06.030-L		MIL, 2 pole, socket, 180°	5/8-24 NPT, 90°	2 wire	C754-L, LT2100-L

¹⁾ Standard braid lengths (“-L”) = 6 in., 9 in., 12 in., 15 in., 18 in., 24 in., 30 in., 36 in., 42 in., 48 in., 54 in., 60 in., 72 in., 84 in., 96 in., 108 in., 120 in., 135 in., 138 in., 150 in.; other lengths available on request.

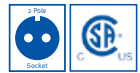
Primary Leads – 3 Pole Ignition Coil Connection – Special



Shielded		Unshielded	Ignition Coil Connector	Electronic Box Connector	Conductor	Equivalent to
New Flex Style	Conventional Style					
P/N ¹⁾						
95.01.130-L	95.01.030-L		MIL, 3 pole, socket, 90°	MIL, 3 pole, socket, 180°	2 wire	593069-L
95.01.131-L	95.01.031-L		MIL, 3 pole, socket, 90°	MIL, 3 pole, pin, 90°	2 wire	
95.01.133-L	95.01.033-L		MIL, 3 pole, socket, 90°	MIL, 3 pole, socket, 180°	3 wire	

¹⁾ Standard braid lengths (“-L”) = 6 in., 9 in., 12 in., 15 in., 18 in., 24 in., 30 in., 36 in., 42 in., 48 in., 54 in., 60 in., 72 in., 84 in., 96 in., 108 in., 120 in., 135 in., 138 in., 150 in.; other lengths available on request.

Primary Leads – 2 Pole Ignition Coil Connection – Special



Shielded		Unshielded	Ignition Coil Connector	Electronic Box Connector	Conductor	Equivalent to
New Flex Style	Conventional Style					
P/N ¹⁾						
95.01.132-L	95.01.032-L		MIL, 2 pole, pin, 90°	MIL, 2 pole, pin, 90°	2 wire	

¹⁾ Standard braid lengths (“-L”) = 6 in., 9 in., 12 in., 15 in., 18 in., 24 in., 30 in., 36 in., 42 in., 48 in., 54 in., 60 in., 72 in., 84 in., 96 in., 108 in., 120 in., 135 in., 138 in., 150 in.; other lengths available on request.



Primary Leads



Cable Assemblies – NPT Adaptors to Outlet Box

Shielded		Unshielded	Ignition Coil Connector	Outlet Box Adaptor	Conductor	Equivalent to
New Flex Style	Conventional Style					
P/N ¹⁾						
95.01.111-L	95.01.011-L		MIL, 3 pole, socket, 180°	1/2-14 NPT, 180°	3 wire	
95.01.124-L	95.01.024-L		MIL, 3 pole, socket, 90°	1/2-14 NPT, 180°	3 wire	593024-L
	95.01.025-L		MIL, 4 pole, socket, 90°	1/2-14 NPT, 180°	5 wire	593025-L
	95.01.026-L		MIL, 5 pole, socket, 90°	1/2-14 NPT, 180°	6 wire	593026-L

¹⁾ Standard braid lengths (“-L”) = 6 in., 9 in., 12 in., 15 in., 18 in., 24 in., 30 in., 36 in., 42 in., 48 in., 54 in., 60 in., 72 in., 84 in., 96 in., 108 in., 120 in., 135 in., 138 in., 150 in.; other lengths available on request.

Special Application Primary Leads

Primary Leads for ROLLS-ROYCE® Gas Engines



Shielded		Unshielded	Ignition Coil Connector	Wiring Rail Connector	Conductor	Equivalent to
New Flex Style	Conventional Style					
P/N ¹⁾						
	95.01.012-14		MIL, 3 pole, socket, 90°	3 pole, socket, 90°	2 wire	702930, 593068-1
	95.01.013-30		MIL, 3 pole, socket, 90°	3 pole, socket, 180°	2 wire	705165, 593068-2

¹⁾ Standard braid lengths 14 in. and 30 in.; other lengths available on request.

Primary Leads for WAUKESHA® ESM Gas Engines



Shielded		Unshielded	Ignition Coil Connector	Wiring Rail Connector	Conductor	Equivalent to
New Flex Style	Conventional Style					
P/N						
95.01.107-24 ¹⁾		A740746-MOT	MIL, 3 pole, socket, 90°	3 pole, socket, 180°	2 wire	A740746, 740746D
		740746B-MOT	2 wire, 180°	3 pole, socket, 180°	2 wire	740746B

¹⁾ Standard lead length 24 in.; other lengths available on request.

Primary Lead for ALTRONIC® EZRAIL Ignition Rail System – Unshielded



P/N ¹⁾	Description	Ignition Coil Connector	Lead Length	Conductor	Equivalent to
06.30.111-60	Primary lead	MIL, 3 pole, socket, 180°	60 in.	2 wire	583017-60KT

¹⁾ Other lengths available on request.



Primary Leads for WAUKESHA® ESM Gas Engines

Ignition Systems

Primary Leads



Primary Leads for MOTORTECH AlphaRail Wiring Rails

For linking flange, integral or externally mounted ignition coils to its AlphaRail ignition wiring rails, MOTORTECH offers a special series of primary leads. Several different configurations are available to offer an individual solution for any application.


- 1 2 or 3 pole MIL style connectors as 90° or 180° type for ignition coil connection
- 2 Primary leads available for shielded applications (Conventional or New Flex Style) or unshielded applications
- 3 2 pole MIL style connector as 90° or 180° type for wiring rail connection




Shielded		Unshielded	Ignition Coil Connector	Wiring Rail Connector	Conductor	Equivalent to
New Flex Style	Conventional Style					
P/N ¹⁾						
95.01.140-L	95.01.040-L	06.01.040-L	MIL, 3 pole, socket, 180°	MIL, 2 pole, pin, 180°	2 wire	
95.01.141-L	95.01.041-L	06.01.041-L	MIL, 3 pole, socket, 90°	MIL, 2 pole, pin, 180°	2 wire	
95.01.142-L	95.01.042-L	06.01.042-L	MIL, 2 pole, socket, 180°	MIL, 2 pole, pin, 180°	2 wire	
95.01.143-L	95.01.043-L	06.01.043-L	MIL, 2 pole, socket, 90°	MIL, 2 pole, pin, 180°	2 wire	
95.01.144-L	95.01.044-L	06.01.044-L	MIL, 3 pole, socket, 180°	MIL, 2 pole, pin, 90°	2 wire	
95.01.145-L	95.01.045-L	06.01.045-L	MIL, 3 pole, socket, 90°	MIL, 2 pole, pin, 90°	2 wire	
95.01.146-L	95.01.046-L	06.01.046-L	MIL, 2 pole, socket, 180°	MIL, 2 pole, pin, 90°	2 wire	
95.01.147-L	95.01.047-L	06.01.047-L	MIL, 2 pole, socket, 90°	MIL, 2 pole, pin, 90°	2 wire	

¹⁾ Standard lead lengths ("-L") = 6 in., 9 in., 12 in., 15 in., 18 in., 24 in., 30 in., 36 in., 42 in., 48 in., 54 in., 60 in., 72 in., 84 in.; other lengths available on request. Add suffix "-X" to part number for cross wired primary leads for positive grounded ignition systems (e.g. 95.01.140-18-X).


New Flex Style

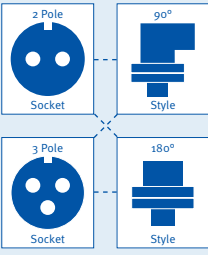


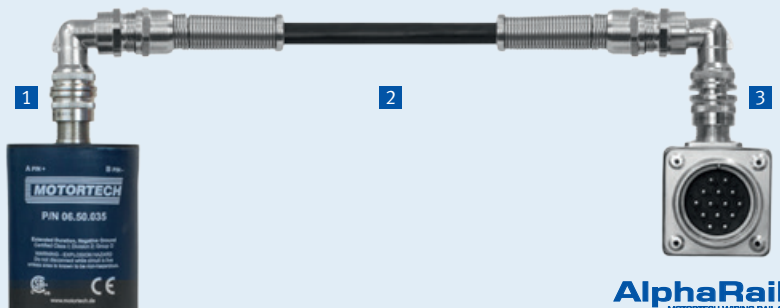
Conventional Style

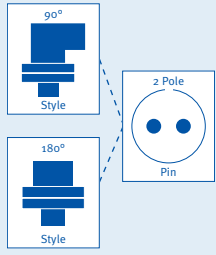



Unshielded











Primary Leads



NOTES

Lined area for taking notes, consisting of horizontal blue lines.

Ignition
Systems



MOTORTECH GmbH
Hogrevestr. 21-23
29223 Celle
Germany
Phone: +49 (5141) 93 99 0
Fax: +49 (5141) 93 99 99
www.motortech.de
sales@motortech.de

MOTORTECH Americas, LLC
1400 Dealers Avenue, Suite A
New Orleans, LA 70123
USA
Phone: +1 (504) 355 4212
Fax: +1 (504) 355 4217
www.motortechamericas.com
info@motortechamericas.com

MOTORTECH Shanghai Co. Ltd.
Room 1018 Enterprise Square,
No. 228 Meiyuan Road,
Zhabei District, 200070 Shanghai
China
Phone: +86 (21) 6380 7338
www.motortechshanghai.com
info@motortechshanghai.com



MOTORTECH Newsletter

Always up-to-date to
the latest news

Subscribe now!

Scan QR-Code for subscription